

Results Comparison Versions W 7.7.10/T 7.7.10 to 7.4.14/T 7.4.04

Whole Products

03/03/2020 -- calculated W 7.7.10/ T 7.7.10

12/09/2016 -- calculated W 7.4.14 / T 7.4.04

Results are identical between the two versions

Product Ref.	Product Type	Material: Frame / Spacer	Glazing System	Size		U (W/m2-K)				SHGC				VT				CR			
				Width (mm)	Height (mm)	W7.4.14 / T7.4.04	W7.7.10 / T7.7.10	diff (if >= 0.0005)	Diff %	W7.4.14 / T7.4.04	W7.7.10 / T7.7.10	diff	Diff %	W7.4.14 / T7.4.04	W7.7.10 / T7.7.10	diff	Diff %	W7.4.14 / T7.4.04	W7.7.10 / T7.7.10	diff	Diff %
Kawneer 1600 S1	Curtain Wall	TI AL / AL	Clr-6_Air_Clr-6	2032.0	2032.0	3.482569	3.48148	-0.00109	-0.03%	0.60099	0.600979	0.000	0.00%	0.66378	0.66378	0.000	0.00%	30.451071	30.136316	-0.31475	-1.0%
CW3	Curtain Wall	TI AL (e=0.2) / AL	Clr-6_Air_Clr-6	2032.0	2032.0	3.127849	3.12785	0.00000	0.00%	0.607401	0.607401	0.000	0.00%	0.672392	0.672392	0.000	0.00%	16.066938	16.068394	0.00146	0.0%
		TI AL (e=0.9) / AL		2032.0	2032.0	3.439269	3.43927	0.00000	0.00%	0.61019	0.61019	0.000	0.00%	0.672392	0.672392	0.000	0.00%	21.737284	21.73918	0.00190	0.0%
Fiberglass	Casement	Fiberglass / AL	Clr-6_Air_LowE2-72-6	600.0	1500.0	1.961189	1.96103	0.00000	0.00%	0.338038	0.338036	0.000	0.00%	0.483322	0.483322	0.000	0.00%	48.124462	48.127037	0.00258	0.0%
PFM	Casement	Wood / AL	Clr-5-Air-Clr-5	914.4	1219.2	2.683719	2.683719	0.00000	0.00%	0.629168	0.629168	0.000	0.00%	0.682002	0.682002	0.000	0.00%	39.731155	39.734173	0.00302	0.0%
			Lowe179-5_Air_Clr5	914.4	1219.2	2.017673	2.017673	0.00000	0.00%	0.529966	0.529966	0.000	0.00%	0.654087	0.654087	0.000	0.00%	46.798634	46.801956	0.00332	0.0%
PVC	Casement	PVC / AL Swiggle	LowE_037-Air-Clr	609.6	1219.2	1.789399	1.789401	0.00000	0.00%	0.254834	0.254834	0.000	0.00%	0.38176	0.38176	0.000	0.00%	56.539352	56.554569	0.01522	0.0%
Velux - FS87	Skylight	AL Clad Wood / SST	Lowe270-3_Ar_Clr-3	547.9	1314.4	3.093089	3.093277	0.00000	0.00%	0.352362	0.352362	0.000	0.00%	0.665323	0.665323	0.000	0.00%	48.816185	48.814278	-0.00191	0.0%
TRR01	Fixed	TB AL / AL	3_Air_HMSC 75_Air_Cmft E2-3	1016.0	1016.0	1.893416	1.89341	0.00000	0.00%	0.275227	0.275227	0.000	0.00%	0.414402	0.414402	0.000	0.00%	40.439362	40.442394	0.00303	0.0%
TRR97	Fixed	AL Clad Wood / Galv. Steel	LowE272-5_Air_Clr-5	1219.2	1219.2	1.952107	1.952107	0.00000	0.00%	0.346445	0.346445	0.000	0.00%	0.596056	0.596056	0.000	0.00%	47.159756	47.163074	0.00332	0.0%
TRR99	Hor. Slider	AL / Galv. Steel	Clr-3_Air_HMSC 75_Air_S500 CL-3	1524.0	914.4	2.760405	2.760363	0.00000	0.00%	0.314964	0.314968	0.000	0.00%	0.499894	0.499902	0.000	0.00%	14.57423	14.576894	0.00266	0.0%
Max Diff						0.00109 0.03%				0.000 0.00%				0.000 0.00%				0.31475 1.03%			

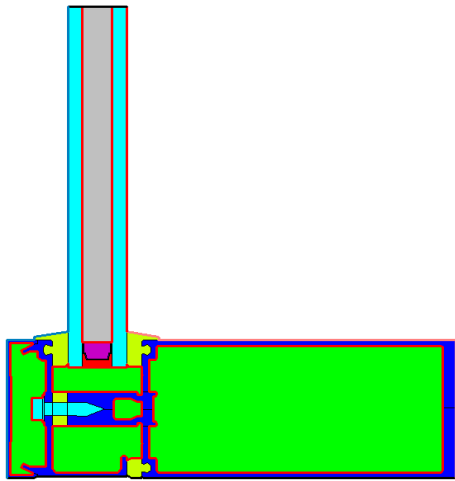
Note: TRR99: Made slight geometry adjustment to 7.7.07 THERM files due to new error about bad points which may have affected the U-factor slightly
 Recalculated TRR99 window with new geometry for both 7.4 and 7.7

Results Comparison WINDOW Version 7.4.14 to 7.7.10
Glazing Systems

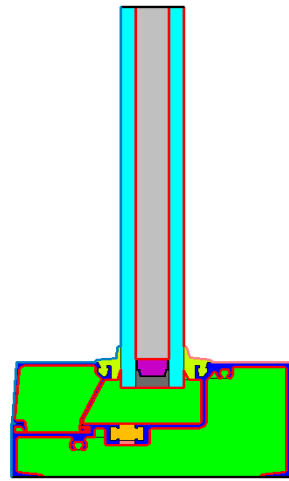
03/03/2020 -- calculated 7.7.10
12/09/2016 -- calculated 7.4.14

Results are identical between the two versions
Results are for actual (not nominal) thickness

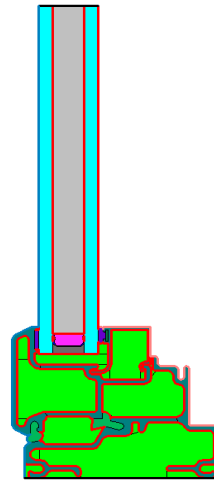
GlzSys ID	IG Name	Glass Layers	Glass	emiss.	Glass / Gap / Glass layers	Glass /Gap / Glass (mm)	Gas	U-factor (W/m ² -K)				SHGC				VT			
								W7.4.14	W7.7.10	DIFF	DIFF (%)	W7.4.14	W7.7.10	DIFF	DIFF (%)	W7.4.14	W7.7.10	DIFF	DIFF (%)
1	Kawneer IGU	2	Un-Coated	0.84	5012/Air/5012	6/12.7/6	Air	2.689528	2.689528	0.00000	0.00%	0.702964	0.702964	0.000	0.00%	0.791102	0.791102	0.000	0.00%
2	No3	2	Un-Coated	0.84	103/Air/103	6/13.4/6	Air	2.681182	2.681182	0.00000	0.00%	0.704438	0.704438	0.000	0.00%	0.786104	0.786104	0.000	0.00%
3	Clr-Air-LowE_042	2	Coated #3	0.042	2004/Air/2014	6/13.4/6	Air	1.677865	1.677865	0.00000	0.00%	0.47784	0.47784	0.000	0.00%	0.697898	0.697898	0.000	0.00%
4	PFM01	2	Un-Coated	0.84	2003/Air/2003	5/16.5/5	Air	2.714314	2.714314	0.00000	0.00%	0.742617	0.742617	0.000	0.00%	0.809516	0.809516	0.000	0.00%
5	PFM02	2	Coated #2	0.11	2186/Air/2003	5/16.5/5	Air	1.853738	1.853738	0.00000	0.00%	0.624722	0.624722	0.000	0.00%	0.776382	0.776382	0.000	0.00%
6	LowE_037-Air-Clr	2	Coated #2	0.037	917/Air/102	3/15.9/3	Air	1.723423	1.723423	0.00000	0.00%	0.397977	0.397977	0.000	0.00%	0.614123	0.614123	0.000	0.00%
7	Velux FS87 Type 75	2	Coated #2	0.037	2026/Argon 95	3/9.9/3	Argon 95	2.014867	2.014867	0.00000	0.00%	0.370629	0.370629	0.000	0.00%	0.701664	0.701664	0.000	0.00%
8	TRR01	3	Coated #2,#3,#5	0.204/0.055/0.204	0907/Air/1510/Air/907	3/8.6/.1/8.6/3	Air	1.265482	1.265482	0.00000	0.00%	0.341514	0.341514	0.000	0.00%	0.535309	0.535309	0.000	0.00%
9	TRR97	2	Coated #2	0.042	2013/Air/2003	5/15.9/5	Air	1.721165	1.721165	0.00000	0.00%	0.407306	0.407306	0.000	0.00%	0.707364	0.707364	0.000	0.00%
10	TRR99	3	Coated #3,#5	0.055, 0.215	5009/Air/1510/Air/5242	3/6.2/0.1/6.2/3	Air	1.732537	1.732537	0.00000	0.00%	0.356202	0.356202	0.000	0.00%	0.582346	0.582346	0.000	0.00%
										0.00%		0.00%		0.00%		0.00%		0.00%	
										0.00%		0.00%		0.00%		0.00%		0.00%	
Max Diff										0.00%		0.00%		0.00%		0.00%		0.00%	



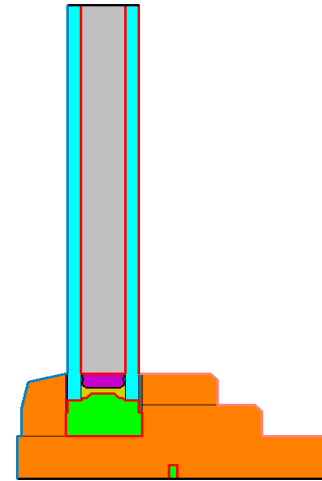
Kawneer 1600 S1



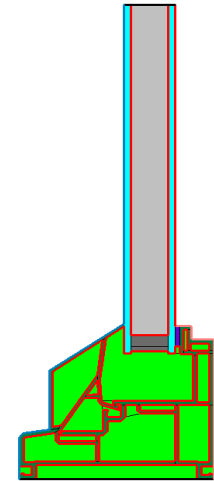
CW3



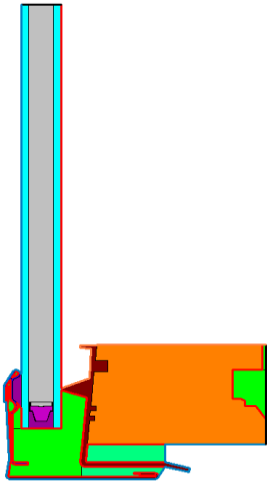
Fiberglass



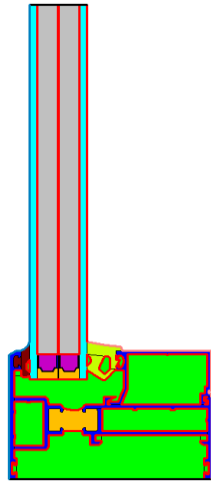
PFM



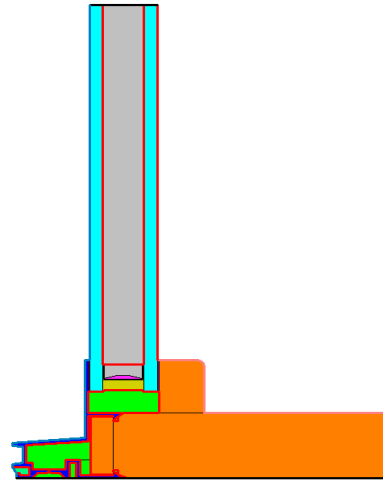
PVC



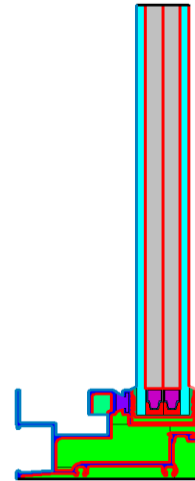
Skylight



TRR01



TRR97



TRR99